

Polaris

The Halo range has been designed as the ideal solution to retrofitting projects, with the large rose perfectly covering any existing 54mm holes in the door achieving a smart and contemporary look on original doors.

Rose

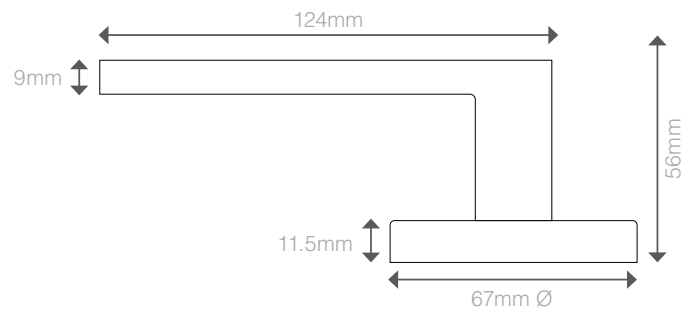
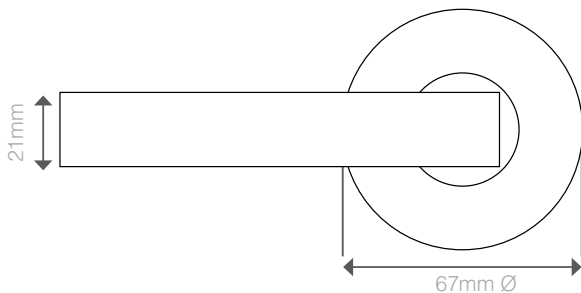
- 9221D Dummy Lever
- 9222 Passage Set
- 9227 Passage Set - 70mm Backset
- 9225 Privacy Set - Integrated
- 9228 Privacy Set - Integrated - 70mm Backset

- > Dummy Set
Includes single Lever Handle and 1152 Dummy Mount
- > Passage Set
Includes Levers and 1357 Tubular Latch - 60mm backset
- > Passage Set - 70mm Backset
Includes Levers and 1101 Tubular Latch - 70mm backset
- > Privacy Set - Integrated
Includes Levers, 1358 Tubular Privacy Latch - 60mm backset
- > Privacy Set - Integrated - 70mm Backset
Includes Levers, 1359 Tubular Privacy Latch - 70mm backset

Halo



Dimensions



Specs

- > Large rose perfectly covers existing 54mm holes when retrofitting
- > Constructed from solid aluminium
- > Suits door thicknesses of 32–55mm
- > For door thicknesses that exceed this, custom spindles and alternative fixings will need to be sourced
- > Not for external use

Installation

- > 60mm backset (see diagram)
 - > 70mm backset options available
- > 54mm drillout hole
- > Passage Set installation shown

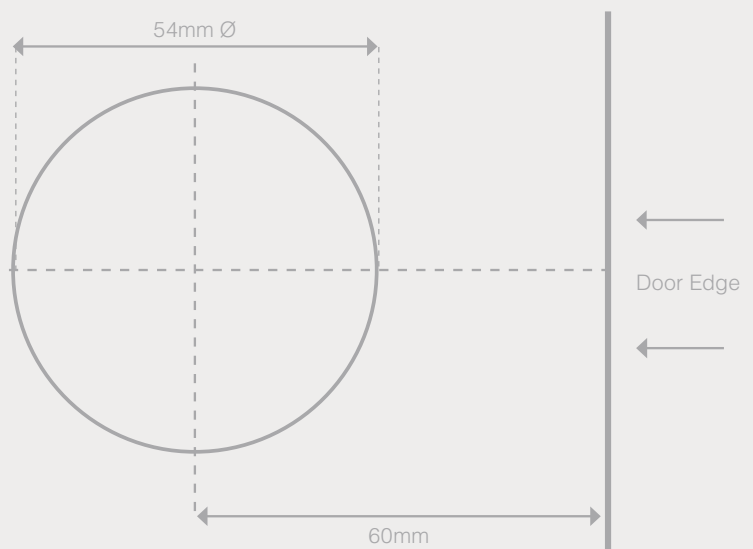


Diagram is not to scale, please refer to fitting instructions [here](#).

Finishes

Stocked



Brushed Nickel



Matt Black



Graphite Nickel

To view this handle style in each finish option, visit our [website](#) and enter any product code listed on page 1 of this document.

Care & Maintenance

Stocked Finishes

To protect your handles we suggest cleaning the surface of your hardware periodically with a warm soapy lightly dampened cloth to remove any build-up of dust and grime that may cause corrosion and affect the integrity of the finish. Then simply dry thoroughly with a clean, soft cloth. Minimum of monthly cleaning of door handles is recommended for both finish preservation and general hygiene.

Atmospheric conditions, salt deposits, acids, caustic agents, cement or dust on construction sites all have the potential to cause discolouration to the surface.

Please avoid using any metal polishes, abrasive cleaners, scorers or rough cloths that may damage or scratch the hardware and do not spray or immerse the hardware in liquid to clean.